

BLACK ICE™ BOOST

Battery-free
On-board
Guitar Boost !

The battery-free Black Ice Boost module provides 4-7db of battery-free boost that's broadly concentrated in the midrange frequencies. It's two (select-able) stages of boost have been fine tuned to add girth and volume to Strat*, Tele* and other types of single coil pickups.

Partial Boost provides up to 4db of boost while retaining some of the high frequency sparkle that single coils are known for (it's also good choice for some lower output humbuckers, P90s, Jazz Bass* pickups, and others).

Full boost provides up to 7db of boost with a darker humbucker-like tonality.

Installation Instructions:

Choose the boost level (Partial or Full boost) and wiring diagram that best suits your needs. If you're also installing our Black Ice Distort module, use either the BOOST ON/OFF AND DISTORT ON/OFF SWITCH or THE WORKS: A SWITCH FOR EVERY OPTION diagram. You can also refer to the installation instructions that came with the Distort module for additional options.

When wiring is completed, place Boost (logo facing up) in space between pickup selector switch and volume pot (Strat*) or between volume and tone pot (Tele*) and mount with foam tape supplied.

For additional information, FAQs, troubleshooting help and warranty information, please visit our website www.blackiceoverdrive.com.

No battery required • Easy to install

Completely reversible • No routing required

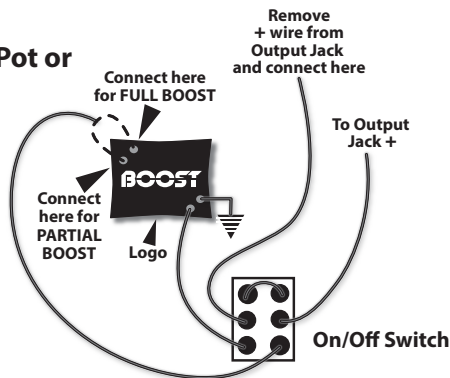
Tone is completely unaffected when bypassed

Note: Black Ice Boost is not compatible with active pickups.

*Trademarks of Fender Musical Instruments

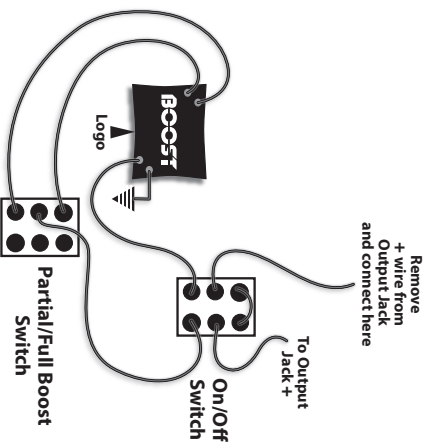


Basic On/Off Using a Push-Pull Pot or Mini Switch



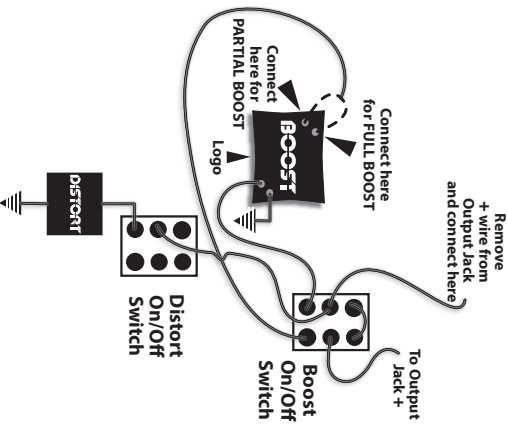
On/Off with Switchable Boost Level

Second switch chooses two different levels of boost



Boost On/Off and Distort On/Off Switch

Second switch turns on/off Distort module



The Works: A Switch for Every Option

Distort On/Off, Boost On/Off, Partial/Full Boost

